

BLUE OASIS ENG. IND. LLC



COMPANY PROFILE

Together we build a stronger future



Address: P 7754, Block A, Sajja
Industrial Oasis Sharjah UAE.



Phone: +971 6715 7592
Mobile: +971 55 2020 540



sales@blueoasis-uae.com
www.blueoasis-uae.com

ABOUT

OUR BUSINESS

Blue Oasis Engineering is reputed and Professionally managed engineering organization provides turnkey solution to Oil & Gas, Refinery and Petrochemicals, Power and Utilities, marine, food and beverages, pharmaceutical, water desalination, etc...



01



We believe in providing exceptional quality products that follow industry leading quality parameters. All our products are in line with global manufacturing standards, viz. ASTM, ASME, DIN etc.

Blue Oasis Engineering Offer a complete design and engineering solution of storage tanks, fuel distribution system, and pipe supports designing and steel structure design

With innovation, technology and design experience in projects, ranging from Fuel Systems to utility projects, Blue Oasis Engineering has greatly contributed in the street fabrication domain within the region

OUR VISION

To lead the metal design, engineering and fabrication domain within UAE, and provide quality products and services to our clients. To become a benchmark in the fabrication industry and lead from the front.

02

COMPANY

PRODUCTS

Our Projects team is specialized in undertaking all types of Manufacturing challenges, Repair, Alteration and re-rating of equipment. We are specialized in Engineering, Procurement, Overall project planning, Manpower sourcing and allocation, Coordination and execution.

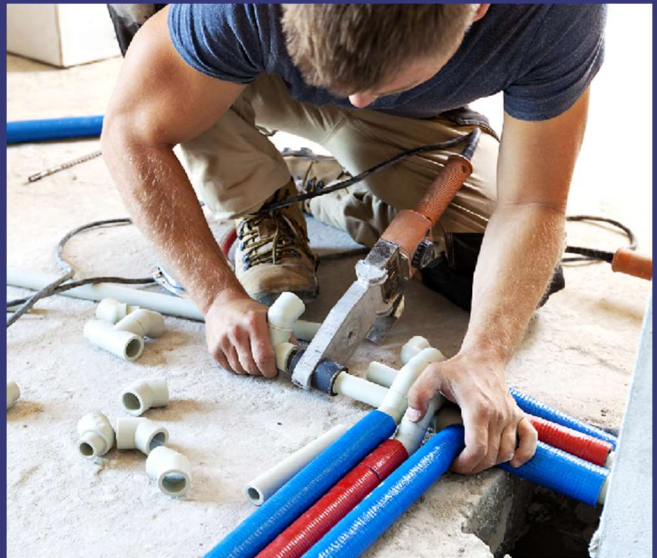
We offer a complete design and engineering solution of storage tanks, fuel distribution system, pipe supports designing, steel structure design.



- AG Tanks
- Pressure Vessels
- Structural Sheds
- Pipe Sloops
- Ladders, Staircase
- Piping and ducts
- Steel Bridges
- UG Tanks
- Steel Structures
- Stainless Steel Fabrication
- Pipe Support Clamps
- General Fabrication Work
- Walkways
- Hand Rail

Our services

SITE INSTALLATION & MAINTENANCE



We have a dedicated site installation & maintenance team that take care of installation & maintenance jobs related to metal products. We believe in time efficiency and are available round the clock to make sure the service is delivered up to benchmark levels.

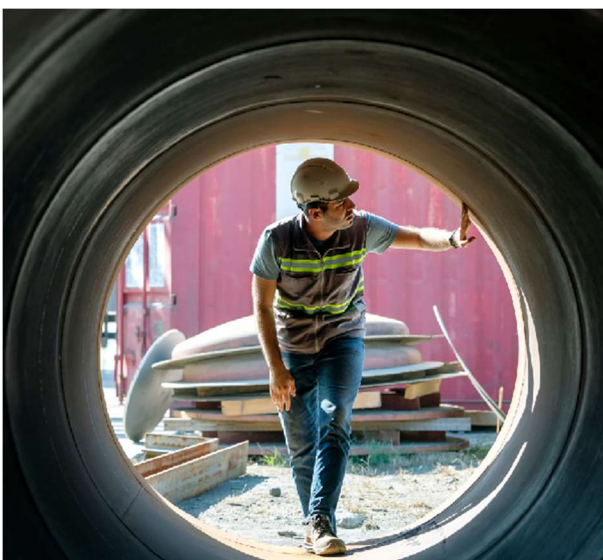
03

REPAIRS



Our service capabilities include all kinds of metal repairs including damages to metal parts, refurbishment of old products to factory like finishes, and replacement of defective parts of an assembly. We believe in reliability and it is reflected in our repair works. Our expert team provides complete repair solutions and we thrive to be on top scale of the customer happiness index.

DESIGN CONSULTANCY



We provide design consultancy services which includes creating new designs that considers the complete life-cycle of products.

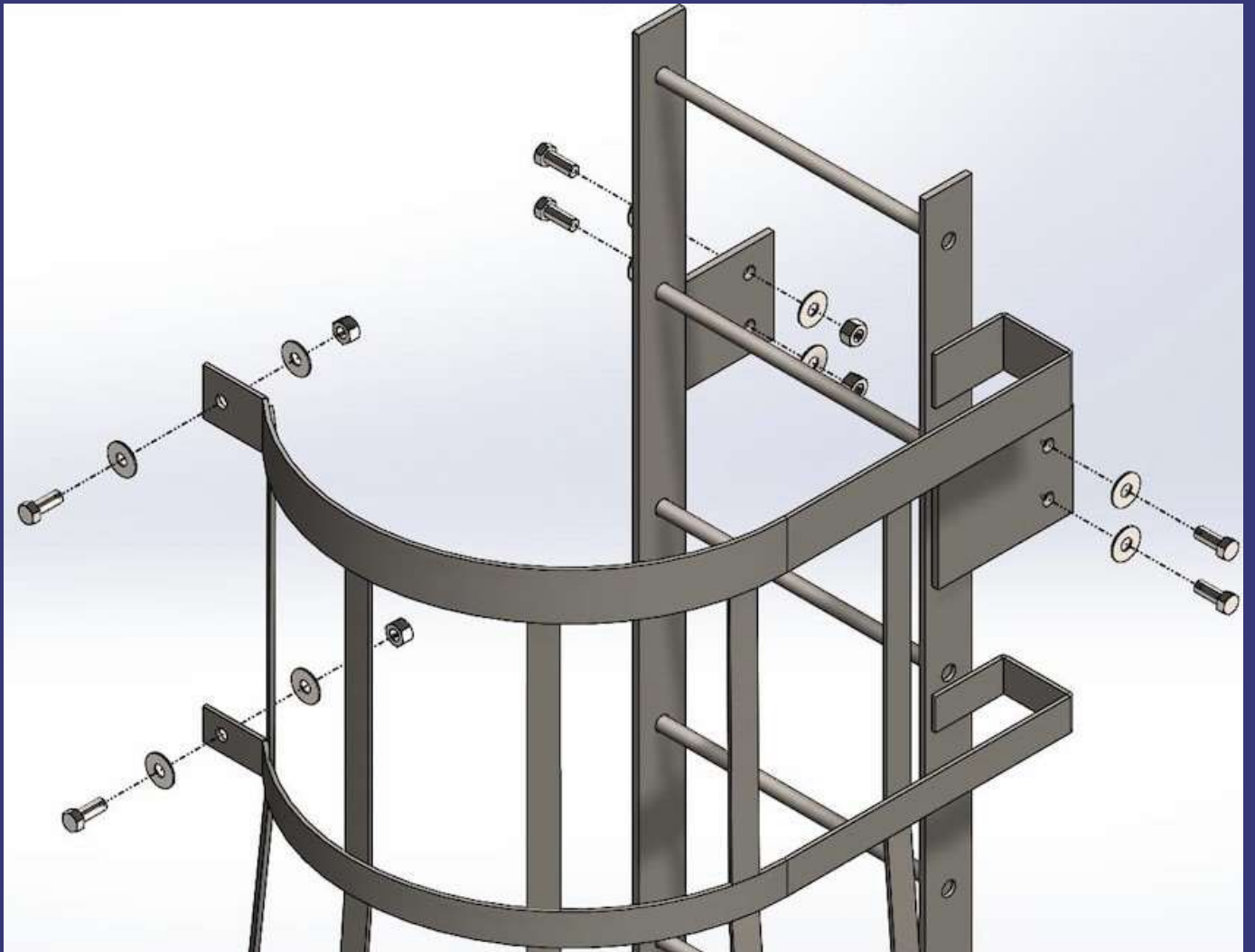
Moreover, we provide innovative ideas with respect to changes in design for already designed projects, that offer cost savings and added value to customers. Additionally, our design expertise offers clients with design changes that would reduce the lead time of projects and impact the project delivery with time efficiency.

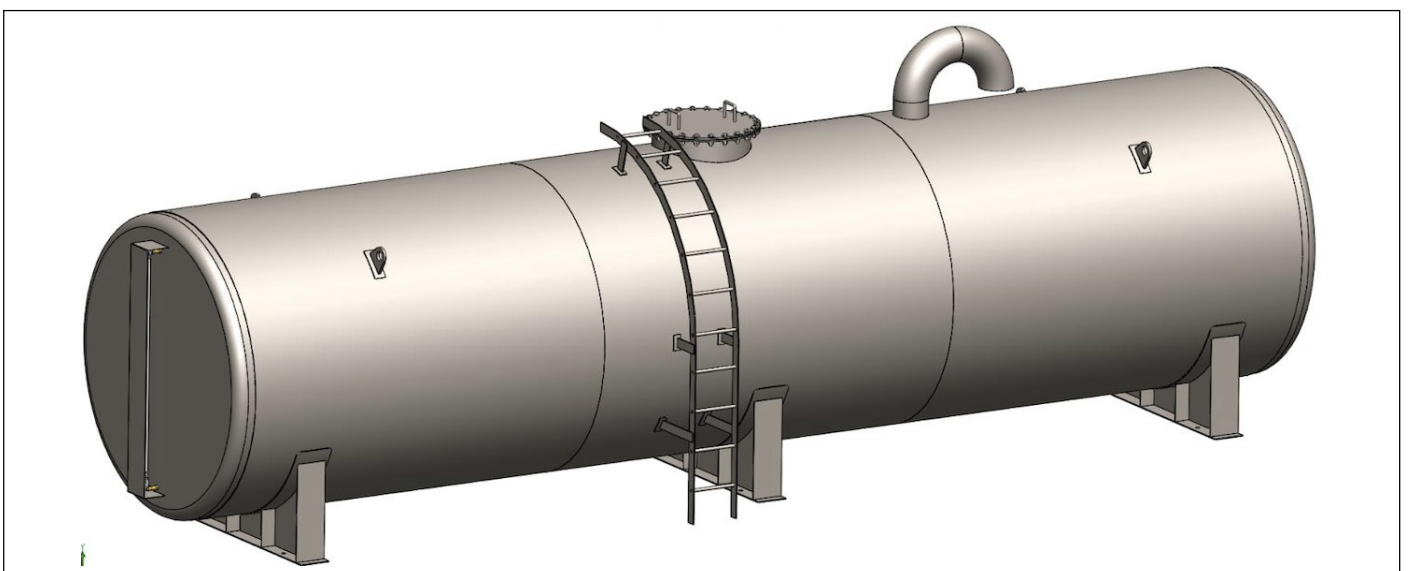
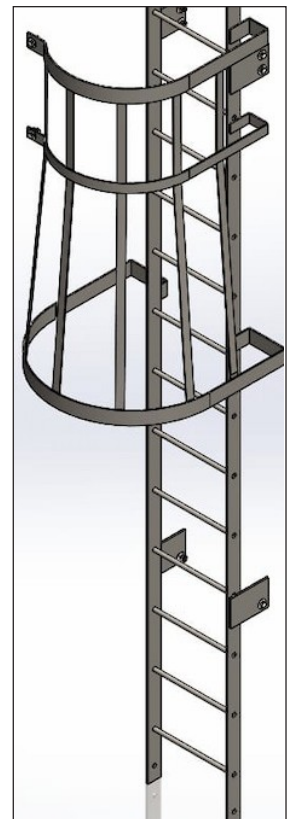
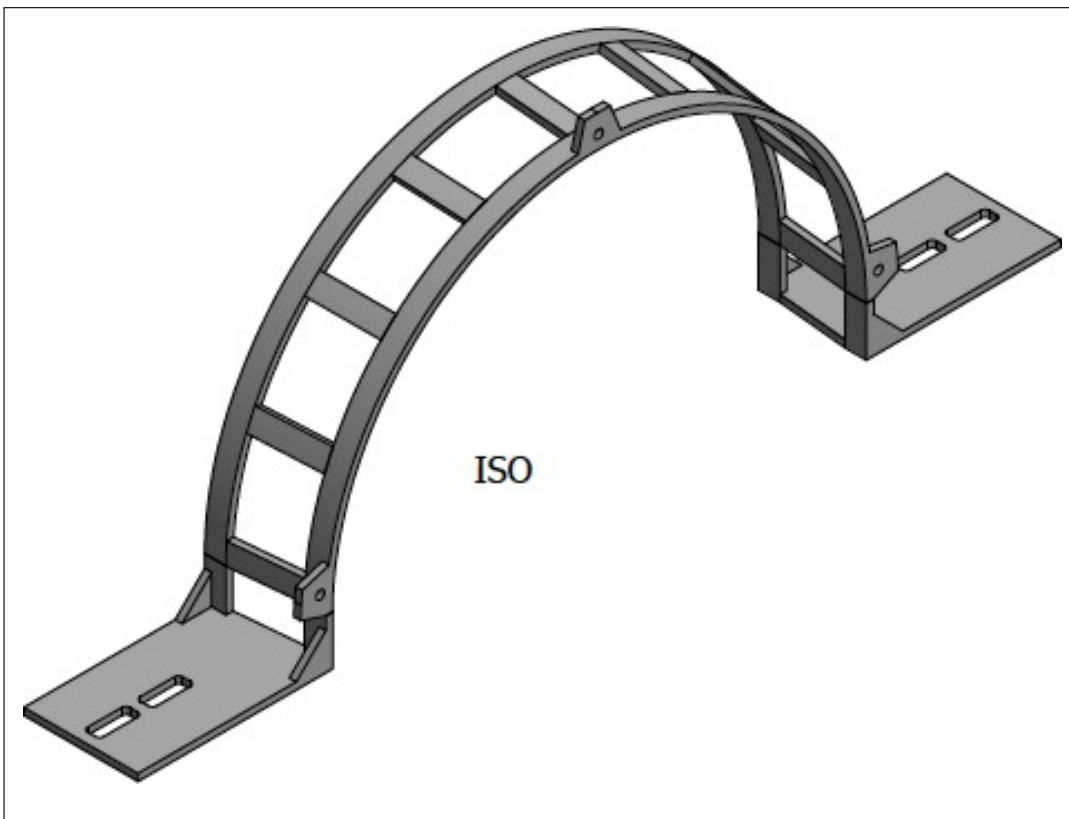
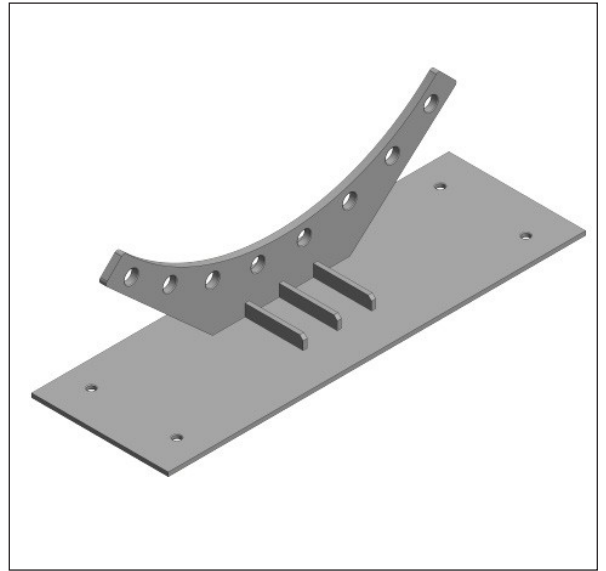
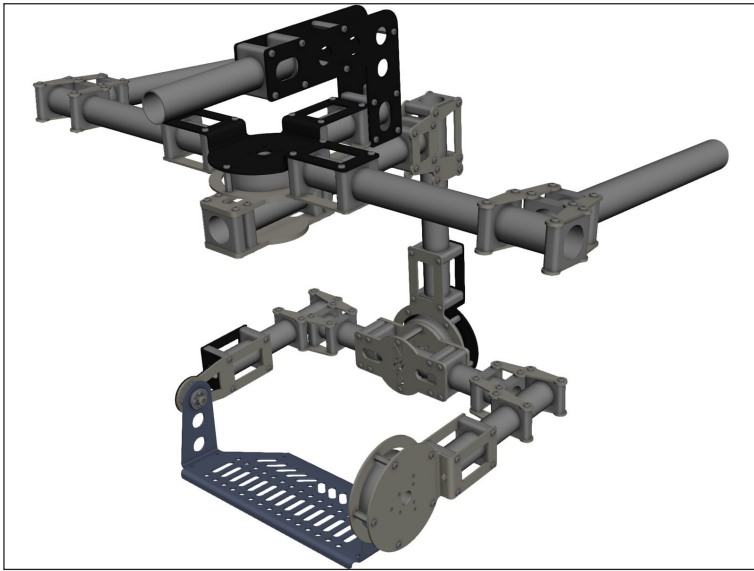
DESIGN VERIFICATION & ENDORSEMENT



Our services include verification of designed projects in terms of suitability. Our designing capabilities, with years of technical expertise, make us stand out in terms of delivering highly efficient products and solutions. All our designs are verified using FEM analysis and simulation techniques to make sure they meet all required criteria and create value for clients.

DRAWINGS






QHSE POLICY



The goal of our Quality, Health, Safety, and Environment (QHSE) policy is to actively contribute to the performance and sustainability of Soitec, based on principles of ongoing improvement and sustainable development.

	QUALITY MANAGEMENT SYSTEM MANUAL		
	QSM-001	Revision 00	Issue Date: 02-May-2022
	PREPARED BY: MANAGEMENT REPRESENTATIVE		REVIEWED & APPROVED BY: SALES MANAGER

QUALITY POLICY

It is the Policy of Blue Oasis Eng. Ind. LLC to provide services related to **“Nets Manufacturing, Pipe Systems Manufacturing, Steel Fabrication & Wedding Workshop, Lathe Workshop, Metal Drums & Barrels Manufacturing”**.

Blue Oasis Eng. Ind. LLC is committed to comply with the requirement of the customers and to continually improve the effectiveness of the Quality Management System. It must be clearly understood that this Quality Policy, Quality Manual and associated Procedures and systems are mandatory on all staff.

As part of our strategic direction, stated in our **Vision and Mission**, we are committed to;

- ❖ Provide products and services that meet Customer’s full requirements.
- ❖ Meeting all relevant statutory and regulatory requirements.
- ❖ Continually improving the effectiveness of our adopted Quality Management System in accordance with ISO 9001:2015.
- ❖ Review our objectives and achievements periodically for continual performance improvement of processes.
- ❖ Plan and evaluate our processes via consideration of the associated business Risk.
- ❖ Ensure that this Quality Policy is communicated to all concerned Departments and understood by everyone within the Organization.
- ❖ Periodically review our Quality Policy to maintain relevance with International Standards.
- ❖ Maintain the flexibility to integrate other related management system requirements.
- ❖ Maintain the prestigious position as one of the best Company in the United Arab Emirates.



Sales Manager



CERTIFICATIONS

TRADE LICENSE

GOVERNMENT OF SHARJAH
Economic Development Department



حُكُومَةُ الشَّارِجَةِ
دائرة التنمية الاقتصادية

رخصة صناعية Industrial License



دليل الشارقة الصناعي
Sharjah Industrial Guide



تفاصيل الرخصة License Details

Issue Date	2022/03/15	تاريخ الإصدار	License No.	795759	رقم الرخصة
Expiry Date	2023/03/15	تاريخ الإنتهاء	Registration No.	203349	رقم السجل
Trade Name	BLUE OASIS ENG. IND. LLC		الواحه الزرقاء للصناعات الهندسية ذ م م		الاسم التجاري
Legal status	Limited Liability Company		شركة ذات مسؤولية محدودة		الشكل القانوني

أطراف الرخصة License Members

الحصص	الصفة	رقم الهوية / الجواز	الجنسية	إسم المستثمر	رقم المستثمر
Shares	Type	ID/Passport No.	Nationality	Investor Name	Investor No.
%90	شريك	784198948629856	باكستان	محمد كاشف عبدالرشيد	4845857
%10	شريك	784197924876812	الإمارات	ابراهيم يوسف محمد نصير الهاشمي	1521

المدير: محمد كاشف عبدالرشيد
أنشطة الرخصة: ورشة حدادة ولحام وصناعة أنظمة الأنابيب وورشنة خراطة وصناعة البراميل المعدنية وصناعة شباك معقودة
العنوان: الشارقة-الصجعة الصناعية/الشارقة- خلف شارع الإمارات -أرض مسورة رقم A- BLOCK ملك عبد اللطيف امين محمد شريف النمر

رقم الهاتف المتحرك: 0552020540
صندوق البريد: 87076 دبي



تاريخ الطباعة: 2022/03/15
رقم المستخدم: 39795

- This document is official. It doesn't need to be stamped or signed.
To view license details please visit SEDD web site: www.sedd.ae
- Distribution of flyers is strictly prohibited in public and residential areas.
Distribution is allowed through.

- هذه الوثيقة رسمية ولا تحتاج لختم أو توقيع.
للتأكد من صحة البيانات يرجى زيارة موقع النشرة: www.sedd.ae
- يمنع منعاً باتاً توزيع الإعلانات في الأماكن العامة و الأحياء السكنية. التوزيع فقط عن طريق الصحف، المجلات
وصناديق البريد.

ISO

CERTIFICATE OF REGISTRATION



We Do Not Sell, We Certify!

This Certificate has been awarded to

Blue Oasis Eng. Ind. LLC
Block A Plot 7754, Al Sajja Industrial Oasis, Sharjah, U.A.E

In recognition of the organization's Management System
which complies with

ISO 9001:2015
(Quality Management System)


The scope of activities covered by this certificate is defined below

**Nets Manufacturing, Pipe Systems Manufacturing, Steel
Fabrication & Welding Workshop, Lathe Workshop,
Metal Drums & Barrels Manufacturing**

EA Code:- 17

SYNDICATE OF INTERNATIONAL SYSTEM CERTIFICATIONS

Certificate Number: **SIS230622Q170**
Date of Issue of Original Certificate: **23.06.2022**
Date of Issue of latest certificate: **23.06.2022**
Expiry Date: **22.06.2023**
Re-certification Due on: **23.05.2025**



Managing Director



Note: This certificate is valid only if produced with the
continuation letter after the surveillance is carried out successfully.

The Organization's documentation and Implementation has been reviewed and found to comply with the relevant standard rules. This certificate of Registration is based on the evaluation of the mentioned scope given above. Organization is responsible for maintaining the responsibilities of the relevant standard rules. Any significant changes in the scope of the certification or standard referred above render this certificate invalid. This is an accredited certificate issued by SIS Certifications Pvt. Ltd. sanctioned for issue by International Accreditation Services, 3060 Saturn Street Suite 100 Brea, California 92821-1732, USA. Email us:- support@siscertifications.com, Web:- www.siscertifications.com International office(SIS): Office 203, Building No 256, Road 2705, Block 327, Manama Adliya, Bahrain.



Issue No.: 01

IAS

ACCREDITED
Management Systems
Certification Body
MSCB-131

